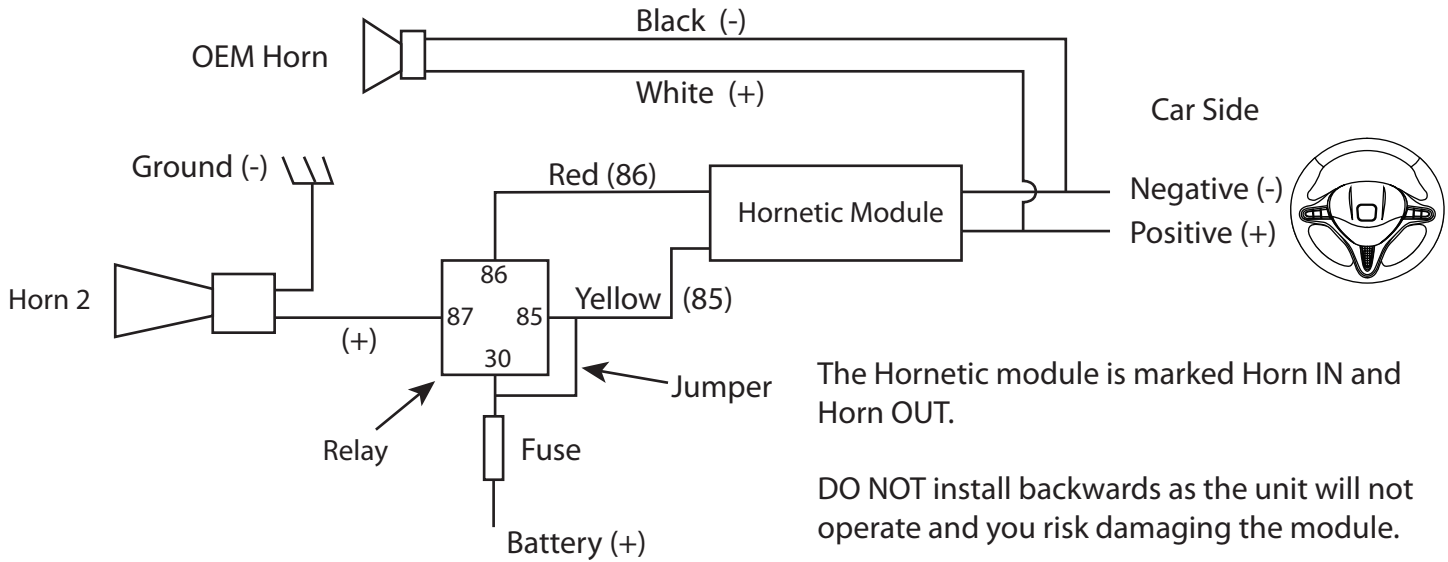


Hornetic Installation Instructions

Secondary Horn Module

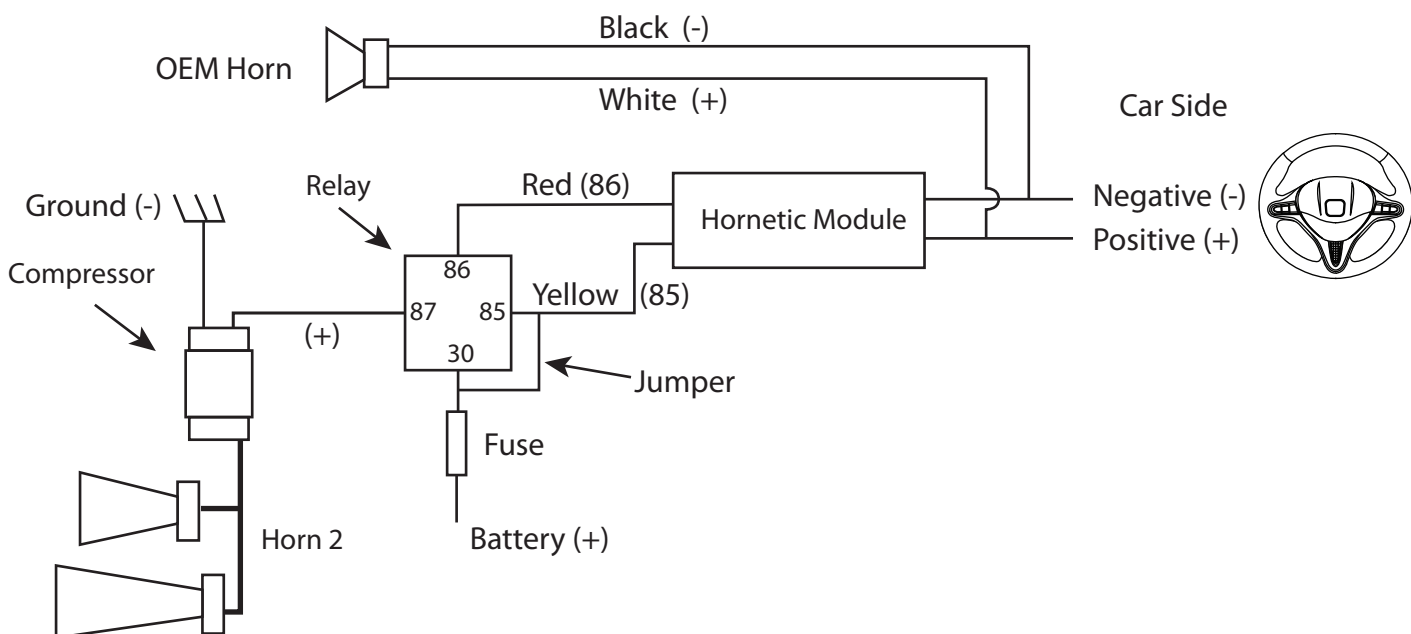


The Hornetic module is marked Horn IN and Horn OUT.

DO NOT install backwards as the unit will not operate and you risk damaging the module.

If the Hornetic module fails, your OEM horn will still work.

Compressor Horn Module



Hornetic Installation Instructions

Splice in the White and Black wires from the hornetic module to the car horn wires.

Make sure Black goes to Ground and White goes to Positive.

Connect the Red Wire from the Hornetic module to the #86 spade post on the relay that came with your secondary horn.

Connect the Yellow wire from the Hornetic module to 85 on the relay.

Connect the +12V fused power direct from your battery to #30 on the relay.

Jumper between #30 and #85 using a short piece of wire.

You can insert this short wire into the spade connectors you use for the #30 and #85 wires before crimping them.

Connect the secondary horn positive to #87 on the relay with a spade connector.

Connect the secondary horn negative to a ground point on the vehicle body.